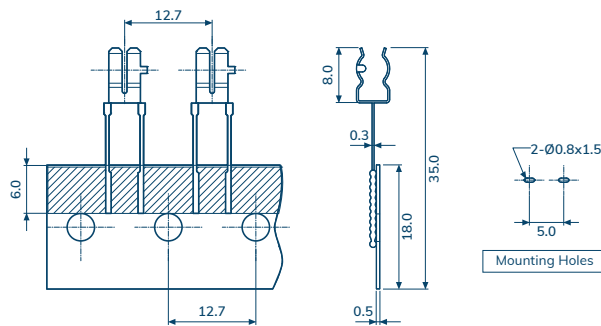


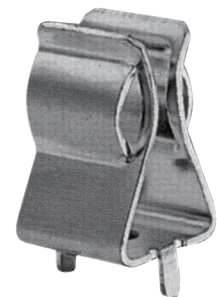
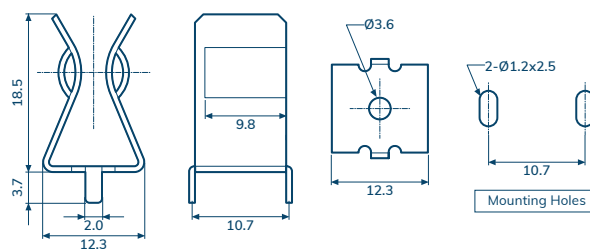
CQ-05CT

Tape / Reel
For 5mm Dia. Fuse



CQ-216

For 10.3mm Dia. Fuses



Item Number	CQ-05CT	CQ-216
Metal Material	Phosphor Bronze	Brass
Material Thickness	0.3 mm	0.7 mm
Suitable Rated Current	10 A	30 A
Fuse Type	Ear Type	Ear Type
Plating Type	Bright Tin Plated	Bright Tin Plated