

## Power Fuse

Conquer's power fuses, with voltage ratings up to 1000V, offer optimal protection against overload and short-circuit events in high power AC/DC circuits.



# K6F/K6F-R

10Ø x 38 mm

Over current protection in solar system



## Agency Approvals

Agency	Ampere Rating
Certified products for U.S. and Canada	6A - 30A
TUV	15A - 30A
CQC	15A - 30A

## Electrical Characteristics

Ampere Rating	Opening Time							
	1 In	1.13 In	1.35 In		1.45 In		2 In	
	MIN	MIN	MIN	MAX	MIN	MAX	MIN	MAX
6A - 12A	4 hr	-	-	60 min	-	-	-	120 sec
15A - 30A	4 hr	60 min	-	60 min	-	60 min	-	240 sec

## Interrupting Rating: 6A-12A

UL248-14	100,000 amperes at 600V AC 100,000 amperes at 600V DC
----------	--

## Interrupting Rating: 15A-30A

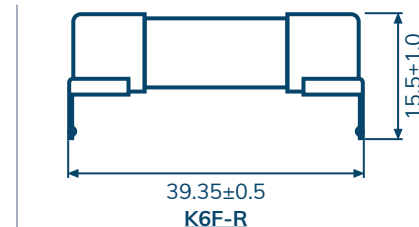
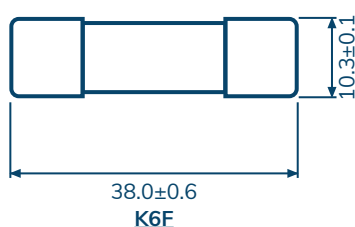
UL248-14	150,000 amperes at 600V AC 50,000 amperes at 600V DC
UL248-19	50,000 amperes at 600V DC
IEC60269-6 GB / T13539.6	10,000 amperes at 600V DC

Catalog Number	Ampere Rating (A)	Voltage Rating (V)	Nominal Cold Resistance (Ohms)	Watts Loss 70% In (W)	Watts Loss 100% In (W)	Nominal Melting I <sup>2</sup> t (A <sup>2</sup> sec.)
K6F/K6F-R 006	6A	600V	0.0268	1.05	2.4	50.72
K6F/K6F-R 012	12A		0.0108	1.7	4.3	258.19
K6F/K6F-R 015	15A		0.0081	2.2	5.4	51.64
K6F/K6F-R 020	20A		0.0049	2.6	6.3	206.48
K6F/K6F-R 025	25A		0.0037	3.1	6.9	1067.18
K6F/K6F-R 030	30A		0.0028	3.5	7.6	1740.00

## Product Characteristics

Operating Temperature	-55 °C to 125 °C
Material	Body: Ceramic / Caps: Nickel Plated Copper Alloy / Terminal: Tin Plated Copper

## Mechanical Dimensions(mm)



## Packaging

Packaging Option	Quantity
Bulk	<b>K6F:</b> 10 pcs / inner box 10 inner box / outside box <b>K6F-R:</b> 50 pcs / set 20 set / box

# KSF/KSF-R

10Ø x 38 mm

Over current protection in solar system  
2022 Taiwan Excellence Award Recipient



## Safety Approvals

Agency	Ampere Rating
Certified products for U.S. and Canada	15A-30A

## Electrical Characteristics

Ampere Rating	Opening Time							
	1 In	1.13 In	1.35 In		1.45 In		2 In	
	MIN	MIN	MIN	MAX	MIN	MAX	MIN	MAX
15A-30A	4 hr	60 min	-	60 min	-	60 min	-	240 sec

## Interrupting Rating

20,000 amperes at 1000V DC
----------------------------

Catalog Number	Ampere Rating (A)	Voltage Rating (V)	Nominal Cold Resistance (Ohms)	Watts Loss 70% In (W)	Watts Loss 100% In (W)	Clearing I <sup>2</sup> t (A <sup>2</sup> sec.)
KSF/KSF-R 015	15A	1000V	0.00854	1.24	3.06	365
KSF/KSF-R 020	20A	1000V	0.00505	1.33	3.22	804.3
KSF/KSF-R 025	25A	1000V	0.00396	1.66	4.28	1202
KSF/KSF-R 030	30A	1000V	0.00302	1.78	4.56	2229

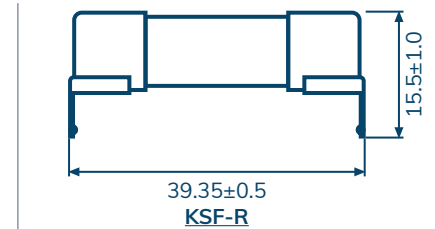
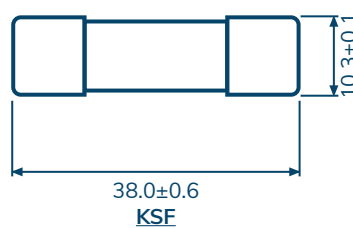
Time constant ≤ 2.0 ms at DC test.

(\*I<sup>2</sup>t measured at 20 kA / 1000 Vdc)

## Product Characteristics

<b>Operating Temperature</b>	-55 °C to 125 °C
<b>Material</b>	Body: Ceramic / Caps: Nickel Plated Copper Alloy / Terminal: Tin Plated Copper

## Mechanical Dimensions(mm)



## Packaging

Packaging Option	Quantity
Bulk	KSF: 10 pcs / inner box 10 inner box / outside box KSF-R: 50 pcs / set 20 set / box

# K5F

35.0Ø x 78.0 mm / 50.0Ø x 83.0 mm

Ideal for use in electric vehicles charging protection boards

2022 Taiwan Excellence Award Recipient



## Agency Approvals

Agency	Ampere Rating
Recognized Component for Canada and US	225A - 700A
CCC	225A - 700A

## Interrupting Rating

225A - 400A:	150,000 amperes at 500V AC 50,000 amperes at 500V DC
450A - 700A:	150,000 amperes at 500V AC 50,000 amperes at 500V DC

Catalog Number	Ampere Rating (A)	Voltage Rating (V)	Watts Loss 100% In (W)	I <sup>2</sup> t (A <sup>2</sup> Sec)	
				Pre-arc	Clearing at 500V
K5F 225	225A	500V	38W	6430	16800
K5F 250	250A		40W	10100	27700
K5F 275	275A		45W	11500	31600
K5F 300	300A		49W	17700	45600
K5F 325	325A		51W	24800	63500
K5F 350	350A		58W	36100	80600
K5F 400	400A		64W	36900	91300
K5F 450	450A		72W	80600	152000
K5F 500	500A		81W	109000	193000
K5F 600	600A		103W	178000	304000
K5F 700	700A		114W	244000	419000

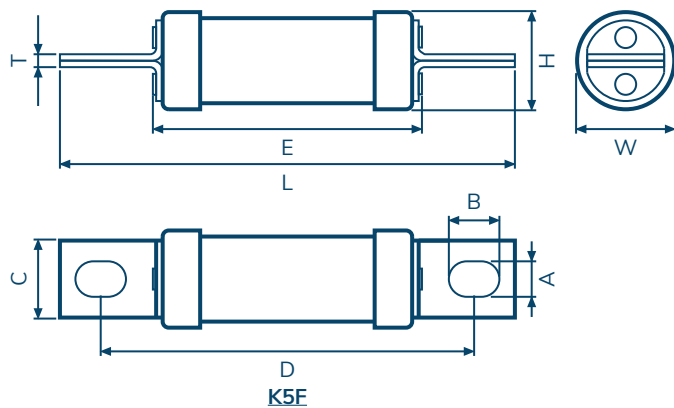
## Product Characteristics

Operating Temperature	-55 °C to 125 °C
Material	Body: Ceramic Caps: Tin Plated Copper Terminal: Tin Plated Copper

## Packaging

Packaging Option	Quantity	
Bulk	225A-400A: 10 pcs / box	450A-700A: 6 pcs / box

## Mechanical Dimensions (mm)



K5F Series	A	B	C	D	E	H	L	T	W
225A - 400A	10.5±1.0	19.0±1.0	26.0±1.0	78.0±4.5	47.0±3.0	35.0±2.0	110.0±3.0	6.0±0.2	35.0±2.0
450A - 700A	10.5±1.0	16.0±1.0	38.0±1.0	83.0±4.5	57.0±3.0	50.0±2.0	112.0±3.0	6.0±0.2	50.0±2.0

# K8F/K8F-A

24.1Ø x 91.6 mm / 35.2Ø x 95.0 mm

Ideal for use in electric vehicles charging protection boards

2022 Taiwan Excellence Award Recipient



RoHS

## Agency Approvals

Agency	Ampere Rating
Recognized Component for Canada and US	50A - 400A

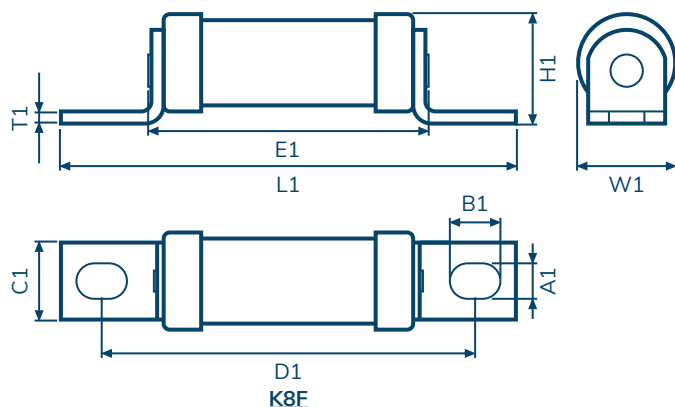
## Interrupting Rating

50A - 150A:	100,000 amperes at 800V AC 50,000 amperes at 800V DC
160A - 400A:	100,000 amperes at 800V AC 50,000 amperes at 800V DC

## Product Characteristics

Operating Temperature	-55 °C to 125 °C
Material	Body: Ceramic Caps: Tin Plated Copper Terminal: Tin Plated Copper

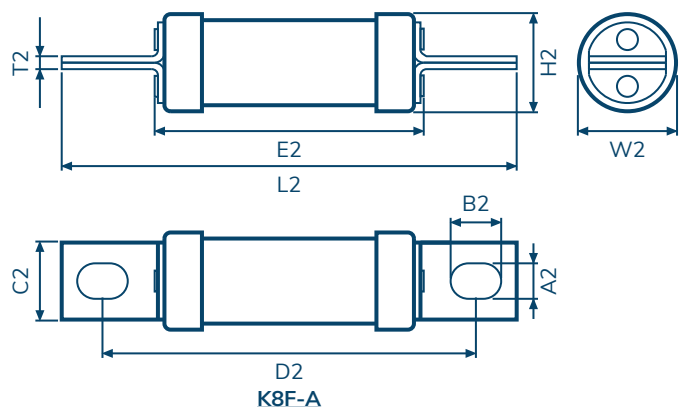
## Mechanical Dimensions (mm)



Catalog Number	Ampere Rating (A)	Voltage Rating (V)
K8F / K8F-A 050	50A	800V
K8F / K8F-A 075	75A	
K8F / K8F-A 100	100A	
K8F / K8F-A 125	125A	
K8F / K8F-A 150	150A	
K8F / K8F-A 160	160A	
K8F / K8F-A 175	175A	
K8F / K8F-A 200	200A	
K8F / K8F-A 225	225A	
K8F / K8F-A 250	250A	
K8F / K8F-A 300	300A	
K8F / K8F-A 350	350A	
K8F / K8F-A 400	400A	

## Packaging

Packaging Option	Quantity	
Bulk	50A-150A: 20 pcs / box	160A-400A: 10 pcs / box



K8F Series	A1	B1	C1	D1	E1	H1	L1	T1	W1
50A - 150A	8.8±1.0	12.4±1.0	19.1±1.0	91.6±3.6	69.0±3.0	27.1±2.0	111.6±3.0	3.0±0.2	24.1±2.0
160A - 400A	10.5±1.0	15.0±1.0	26.0±1.0	95.0±4.5	69.2±3.0	38.2±2.0	117.6±3.0	3.0±0.2	35.2±2.0
K8F-A Series	A2	B2	C2	D2	E2	H2	L2	T2	W2
50A - 150A	8.8±1.0	12.4±1.0	19.1±1.0	91.6±3.6	66.0±3.0	24.1±2.0	111.6±3.0	3.4±0.2	24.1±2.0
160A - 400A	10.5±1.0	15.0±1.0	26.0±1.0	95.0±4.5	69.2±3.0	35.2±2.0	117.6±3.0	6.0±0.2	35.2±2.0

# EVS

10Ø x 38 mm

Compliant with the ISO 8820 standard

2022 Taiwan Excellence Award

Recipient



## Interrupting Rating

10,000 amperes at 275V AC
10,000 amperes at 450V DC
20,000 amperes at 500V DC

## Electrical Characteristics

Ampere Rating	1.1 In	1.35 In		1.5 In	
	MIN	MIN	MAX	MIN	MAX
10A - 50A	4 hr	150 sec	3600 sec	10 sec	1000 sec

## Product Characteristics

<b>Operating Temperature</b>	-55 °C to 125 °C
<b>Material</b>	Body: Ceramic / Caps: Nickel Plated Copper Alloy / Terminal: Tin Plated Copper

Ampere Rating	Opening Time					
	2 In		3 In		5 In	
	MIN	MAX	MIN	MAX	MIN	MAX
10A - 50A	500 ms	100 sec	100 ms	15 sec	50 ms	1 sec

## Packaging

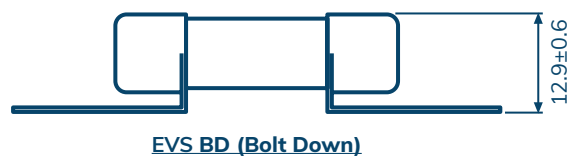
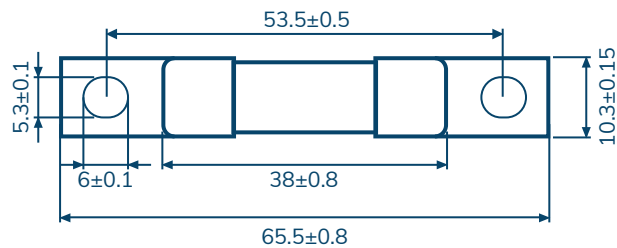
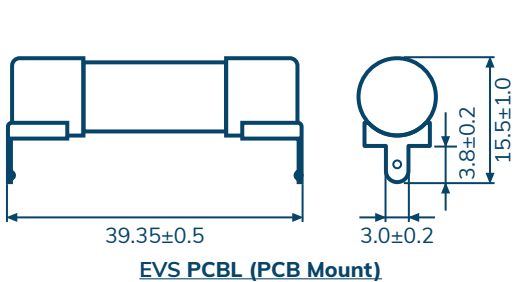
Packaging Option	Quantity
Bulk	<b>PCBL (PCB Mount):</b> 50 pcs / set 20 set / box <b>BD (Bolt Down):</b> 40 pcs / set 20 set / box

Catalog Number	Ampere Rating (A)	Voltage Rating (V)	Max Voltage Drop (mv)	Nominal Cold Resistance (Ohms)	Nominal Melting I <sup>2</sup> t (A <sup>2</sup> sec.)
EVS 010	10A	500V	200 mv	0.01153	323
EVS 015	15A	500V	200 mv	0.00665	1153
EVS 020	20A	500V	200 mv	0.00502	623
EVS 030	30A	500V	200 mv	0.00243	3024
EVS 040	40A	500V	200 mv	0.00171	7253
EVS 050	50A	500V	200 mv	0.00123	9203

\* Time constant ( 2.0 ± 0.5 ) ms at DC test

(\*I<sup>2</sup>t measured at 20 kA / 500 Vdc)

## Mechanical Dimensions(mm)



# QEV24

24.4 Ø x 88.38 mm

Compliant with the ISO 8820 standard



## Interrupting Rating

30,000 amperes at 1000V DC
20,000 amperes at 690V AC

## Product Characteristics

<b>Operating Temperature</b>	-40°C to +125°C
<b>Material</b>	Body: Ceramic Caps: Tin Plated Copper Terminal: Tin Plated Copper

## Packaging

<b>Packaging Option</b>	<b>Quantity</b>
Inner box	20 pcs / mid box

## Electrical Characteristics

Ampere Rating	Opening Time				
	1.1 I <sub>n</sub>	1.35 I <sub>n</sub>		1.5 I <sub>n</sub>	
	MIN	MIN	MAX	MIN	MAX
60A - 125A	4 hr	150 sec	3600 sec	20 sec	1500 sec

Ampere Rating	Opening Time					
	2 I <sub>n</sub>		3 I <sub>n</sub>		5 I <sub>n</sub>	
	MIN	MAX	MIN	MAX	MIN	MAX
60A - 125A	1 sec	300 sec	200 ms	30 sec	50 ms	1 sec

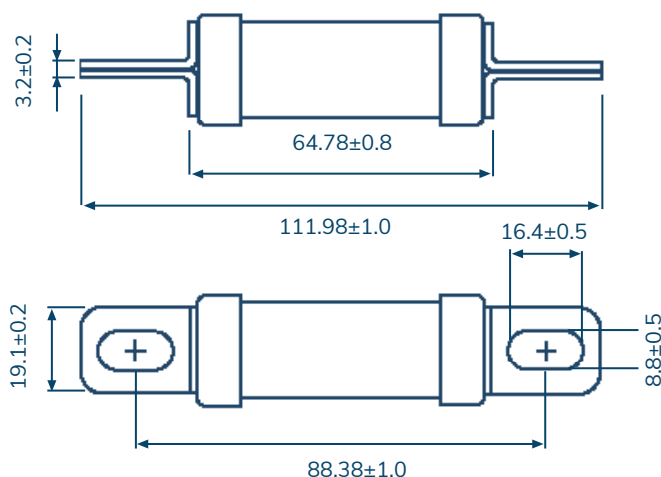
Catalog Number	Ampere Rating (A)	Voltage Rating (V)	Max. Voltage Drop (mV)	Nominal Cold Resistance (Ohms)	Pre-arcing I <sup>2</sup> t (A <sup>2</sup> sec.)	Total I <sup>2</sup> t (A <sup>2</sup> sec.)
QEV24 060	60A	1000V	250	0.002218	691.5	3830
QEV24 070	70A			0.001849	981.5	5560
QEV24 080	80A			0.001701	1295	6130
QEV24 090	90A			0.001403	1895	8510
QEV24 100	100A			0.001156	3410	10950
QEV24 125	125A		200	0.000890	6930	22250

Time constant (2.0 ± 0.5) ms at DC test

Minimum breaking capacity : 800 % rating currentst

(\*I<sup>2</sup>t measured at 30 kA / 1000 VDC)

## Mechanical Dimensions(mm)



# AUC

10.4Ø x 38.5 mm

Designed for use in large-scale air conditioning units



## Agency Approvals

Agency	Ampere Rating
Recognized Component for Canada and US	25A - 70A

## Electrical Characteristics

Ampere Rating	Opening Time	
	1 In	2 In
	MIN	MAX
25A - 70A	4 hr	120 sec

## Interrupting Rating

2,000 amperes at 500V AC  
 2,000 amperes at 250V AC  
 1,000 amperes at 125V DC

Catalog Number	Ampere Rating (A)	Voltage Rating (V)	Nominal Cold Resistance (Ohms)	Nominal Melting I <sup>2</sup> t (A <sup>2</sup> sec.)
AUC 030	30A	250/500V	0.00283	675.00
AUC 040	40A		0.0019	2616.00
AUC 050	50A		0.0014	3975.00
AUC 063	63A		0.0011	6271.00
AUC 070	70A		0.0010	11760.0

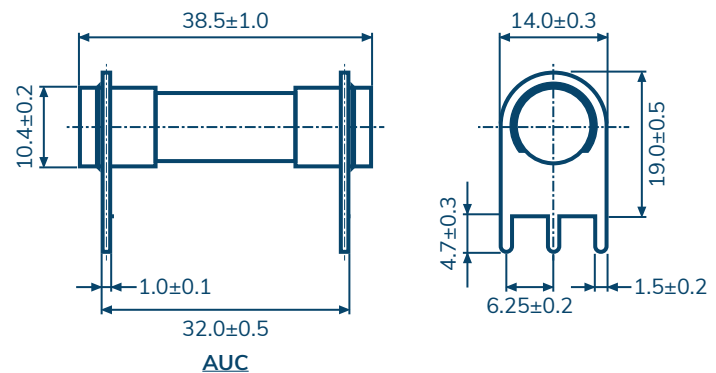
## Product Characteristics

<b>Operating Temperature</b>	-55 °C to 125 °C
<b>Material</b>	Body: Ceramic / Caps: Nickel Plated Copper Alloy / Terminal: Tin Plated Copper

## Packaging

Packaging Option	Quantity
Bulk	80 pcs / box

## Mechanical Dimensions(mm)





# ALC

14.6Ø x 38.5 mm

Designed for over-current protection in high voltage applications



## Agency Approvals

Agency	Ampere Rating
Recognized Component for Canada and US	25A - 90A

## Interrupting Rating

25A - 63A:	500 amperes at 125V DC 1,500 amperes at 600V AC 2,000 amperes at 250V AC
90A:	1,500 amperes at 500V AC

## Product Characteristics

Operating Temperature	-55 °C to 125 °C
Material	Body: Ceramic / Caps: Nickel Plated Copper Alloy / Terminal: Tin Plated Copper

## Packaging

Packaging Option	Quantity
Bulk	60 pcs / box



RoHS

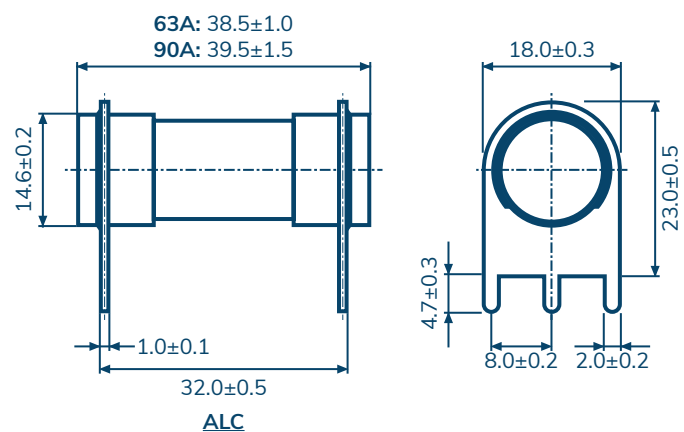


## Electrical Characteristics

Ampere Rating	Opening Time	
	1 In	2 In
	MIN	MAX
25A - 63A	4 hr	120 sec
90A	4 hr	360 sec

Catalog Number	Ampere Rating (A)	Voltage Rating (V)	Nominal Cold Resistance (Ohms)	Nominal Melting I <sup>2</sup> t (A <sup>2</sup> sec.)
ALC 063	63A	250V / 600V	0.0013	9892.95
ALC 090	90A	500V	0.00085	9234.00

## Mechanical Dimensions(mm)



# AMC

14.6Ø x 22.3 mm

Suitable for the telecommunications industry



### Agency Approvals

Agency	Ampere Rating
Recognized Component for Canada and US	30A - 125A

### Interrupting Rating

100,000 amperes at 170V DC
----------------------------

### Product Characteristics

<b>Operating Temperature</b>	-55 °C to 125 °C
<b>Material</b>	Body: Ceramic / Caps: Nickel Plated Copper Alloy / Terminal: Tin Plated Copper

### Electrical Characteristics

Ampere Rating	Opening Time		
	1 In	1.35 In	2 In
	MIN	MAX	MAX
30A - 60A	4 hr	1 hr	6 min
61A - 100A	4 hr	2 hr	8 min
101A - 125A	4 hr	--	10 min

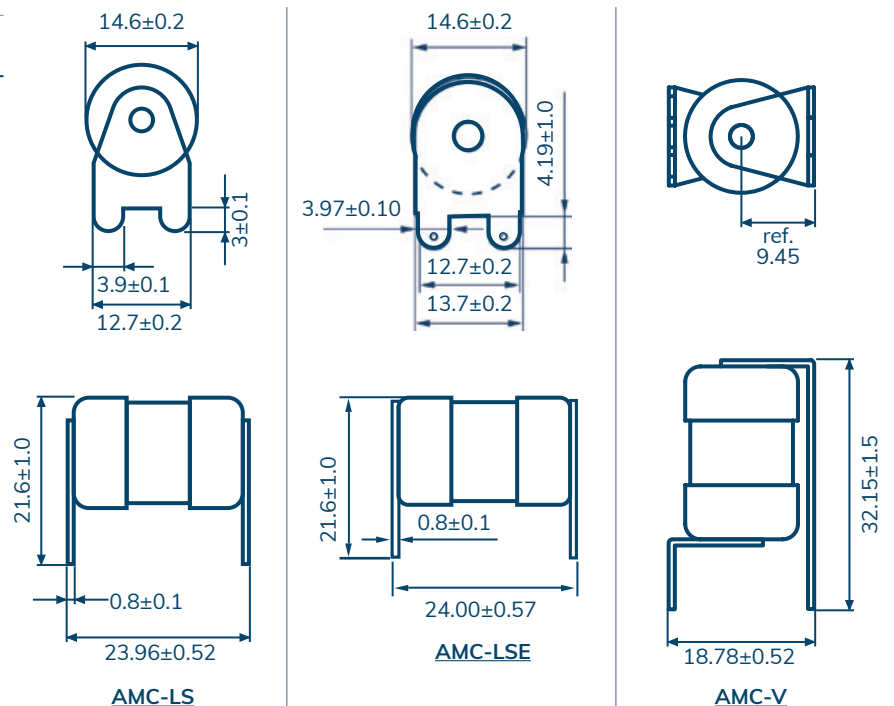
Catalog Number	Ampere Rating (A)	Voltage Rating (V)	Nominal Cold Resistance (Ohms)	Nominal Melting I <sup>2</sup> t (A <sup>2</sup> sec.)	Version
AMC 040	40A	170V	0.00156	1974	-LS/-V
AMC 050	50A		0.00123	4139	
AMC 060	60A		0.00090	6454	
AMC 080	80A		0.00074	8236	
AMC 100	100A		0.00057	10250	
AMC 125	125A		0.00041	14633	-LSE

(\* I<sup>2</sup>t measured at 100kA / 170 VDC)

### Packaging

Packaging Option	Quantity
Bulk	10 pcs / box

### Mechanical Dimensions(mm)



# BMC

17.4Ø x 42 mm

Ideal for use in electric vehicles charging protection boards



### Agency Approvals

Agency	Ampere Rating
Recognized Component for Canada and US	25A - 180A
CCC	50A - 180A

### Interrupting Rating

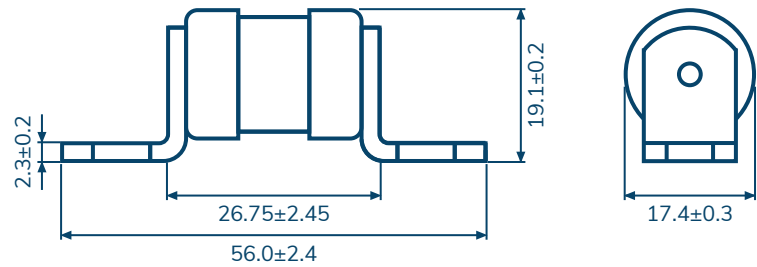
160,000 amperes at 240V AC
50,000 amperes at 150V DC

Catalog Number	Ampere Rating (A)	Voltage Rating (V)	Nominal Cold Resistance (Ohms)	Watts Loss 100% In (W)	Clearing at 240V I <sup>2</sup> t (A <sup>2</sup> sec.)
BMC 050	50A	240V	0.00183	8.800	2463.00
BMC 060	60A		0.00156	11.00	3574.30
BMC 070	70A		0.00117	12.50	4047.00
BMC 080	80A		0.00098	13.70	5447.00
BMC 100	100A		0.00072	16.20	8352.00
BMC 125	125A		0.00060	22.00	10077.0
BMC 150	150A		0.00049	25.00	15100.0
BMC 180	180A		0.00038	25.00	17268.0

### Product Characteristics

Operating Temperature	-55 °C to 125 °C
Material	Body: Ceramic / Caps: Tin Plated Copper Alloy / Terminal: Tin Plated Copper

### Mechanical Dimensions(mm)



### Packaging

Packaging Option	Quantity
Bulk	10 pcs / box

